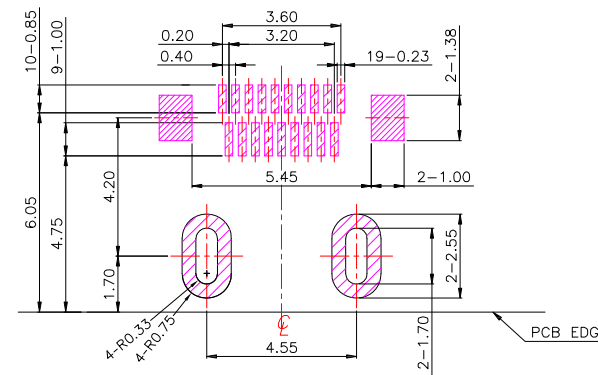
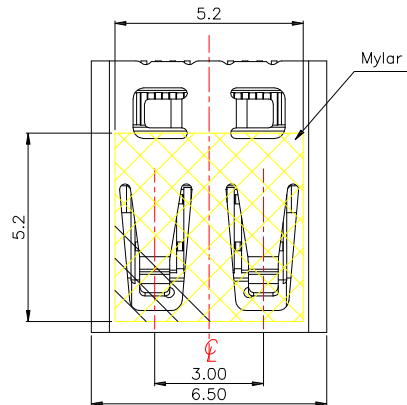




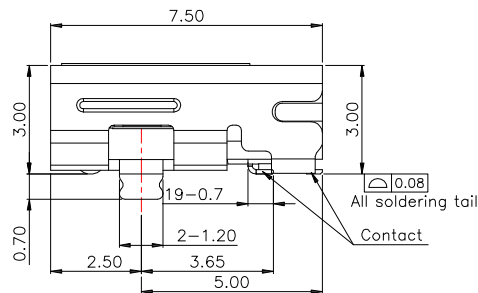
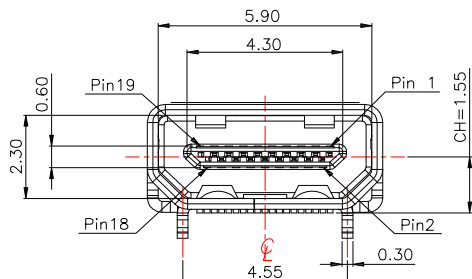
HDMI-D-19PSD1Ax-S410

SHELL PLATED :

Blank	NI
G	GOLD



P.C.B LAYOUT MOUNTING PATTERN (TOP VIEW)



SPECIFICATIONS

1.MATERIAL:

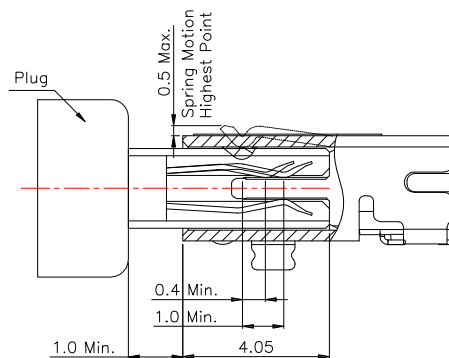
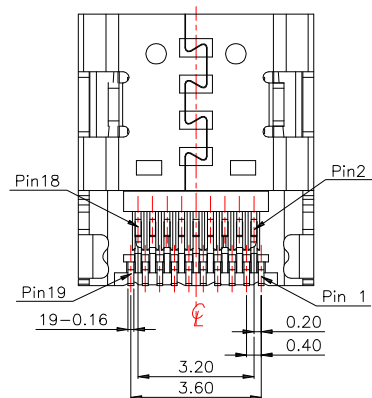
- 1.1.HOUSING: LCP , BLACK.
- 1.2.CONTACT: BRASS
- 1.3.SHELL: BRASS
- 1.4.MYLAR: POLYIMIDE TAPE

2.Finish

- 2.1 CONTACT: PLATED GOLD IN MATING AREA ;
TIN PLATED ON SOLDER BALLS
NICKEL UNDER PLATED OVERALL
- 2.2 SHELL: NICKEL UNDER PLATED SURFACE LAYER

3.ELECTRIC:

- 3.1.DIELECTRIC WITHSTANDING VOLTAGE: 500V AC .
- 3.2.INSULATION RESISTANCE: 1000MΩ MIN
- 3.3.CONTACT RESISTANCE: 30mΩ MAX.
- 3.4.OPERATING TEMPERATURE: -55°C ~ 105°C
- 3.5.LIFE: 10,000 CYCLES



Receptacle and Plug Mated Condition

3	新增PCB LAYOUT尺寸	Jack	062123
2	更新材質和鍍層	Jack	060623
1	更新PCB LAYOUT	Jack	080718
ITEM NO.	DESCRIPTION	DRAWN	DATE



TOLERANCE UNLESS OTHERWISE STATED

Up to 5 ±0.2
Above 5 ~ 15 ±0.3
Above 15 ~ 30 ±0.4
Above 30 ~ 50 ±0.5
Angle ±0.3°

3RD. ANGEL'S



UNITS MM

DRAWN BY:	DATE	MAT'L	TITLE	CONNECTOR
Jack Lu	06/21/23	FINISH	MODLE	HDMI D TYPE
CHECKED BY:	DATE	SCALE	DWG NO.	HDMI-D-19PSD1Ax-S410
Jacky Chen	06/21/23	SHEET NO.	PART NO.	HDMI-D-19PSD1Ax-S410
APPROVED BY:	DATE	1 of 1		SIZE A4
Tony Kao	06/21/23			VER R2